

J BSM E8 C

JAVA Tap Range Java Bath Shower Mixer Eco8 Chrome



Features:

- Brass construction
- Ceramic disc valve for smooth flow control
- Easy-to-use lever handles

Product Certifications:



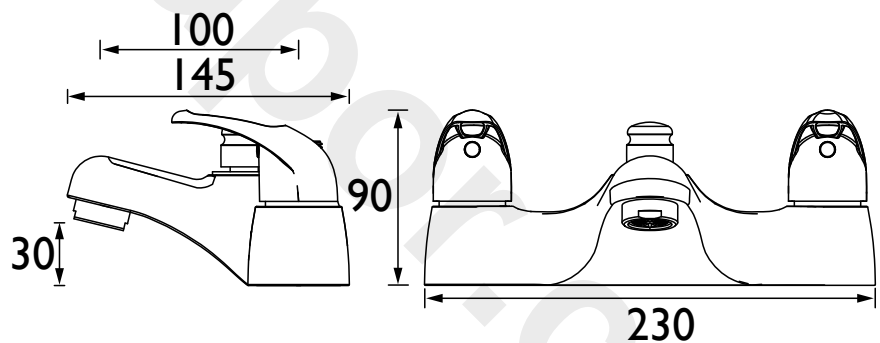
For more products, visit our website:
<http://www.bristan.com>



Specification

Product Type:	Taps
Main Construction Material:	Brass
Mount Type:	Deck
Handle Type:	Lever
Connection Inlet:	3/4" BSP
Connection Outlet:	M28 Flow Striahtener
Number of Tap Holes:	2
Valve/Cartridge Type:	1/4 Turn 3/4" Ceramic Disc Valve
Plumbing System Requirements:	Suitable for all plumbing systems
Minimum Dynamic Pressure (bar):	0.2 bar
Maximum Dynamic Pressure (bar):	5.0 bar
Maximum Hot Water Temperature °C:	65°C
Maximum Static Pressure (bar):	10 bar
Flow Type:	Single
Isolation Included:	No

Dimensions (measurements in mm)



Flow Rates (l/min)

System Pressure (bar)	0.2	0.5	1	2	3	5
Through Bath Filler (mixed)	17.6	27.8	39.3	55.5	68	87.8
Through Handset (mixed)	8	8	8	8	8	8

TECHNICAL DATA SHEET



BRISTAN

D4